

Архангельск (8182)63-90-72  
 Астана (7172)727-132  
 Астрахань (8512)99-46-04  
 Барнаул (3852)73-04-60  
 Белгород (4722)40-23-64  
 Брянск (4832)59-03-52  
 Владивосток (423)249-28-31  
 Волгоград (844)278-03-48  
 Вологда (8172)26-41-59  
 Воронеж (473)204-51-73  
 Екатеринбург (343)384-55-89  
 Иваново (4932)77-34-06

Ижевск (3412)26-03-58  
 Иркутск (395)279-98-46  
 Казань (843)206-01-48  
 Калининград (4012)72-03-81  
 Калуга (4842)92-23-67  
 Кемерово (3842)65-04-62  
 Киров (8332)68-02-04  
 Краснодар (861)203-40-90  
 Красноярск (391)204-63-61  
 Курск (4712)77-13-04  
 Липецк (4742)52-20-81  
 Киргизия (996)312-96-26-47

Магнитогорск (3519)55-03-13  
 Москва (495)268-04-70  
 Мурманск (8152)59-64-93  
 Набережные Челны (8552)20-53-41  
 Нижний Новгород (831)429-08-12  
 Новокузнецк (3843)20-46-81  
 Новосибирск (383)227-86-73  
 Омск (3812)21-46-40  
 Орел (4862)44-53-42  
 Оренбург (3532)37-68-04  
 Пенза (8412)22-31-16  
 Казахстан (772)734-952-31

Пермь (342)205-81-47  
 Ростов-на-Дону (863)308-18-15  
 Рязань (4912)46-61-64  
 Самара (846)206-03-16  
 Санкт-Петербург (812)309-46-40  
 Саратов (845)249-38-78  
 Севастополь (8692)22-31-93  
 Симферополь (3652)67-13-56  
 Смоленск (4812)29-41-54  
 Сочи (862)225-72-31  
 Ставрополь (8652)20-65-13  
 Таджикистан (992)427-82-92-69

Сургут (3462)77-98-35  
 Тверь (4822)63-31-35  
 Томск (3822)98-41-53  
 Тула (4872)74-02-29  
 Тюмень (3452)66-21-18  
 Ульяновск (8422)24-23-59  
 Уфа (347)229-48-12  
 Хабаровск (4212)92-98-04  
 Челябинск (351)202-03-61  
 Череповец (8202)49-02-64  
 Ярославль (4852)69-52-93

<https://affco.nt-rt.ru/> || [acq@nt-rt.ru](mailto:acq@nt-rt.ru)

## Concentric Butterfly Valves Vulcanized Seat

### Wafer Type Series 570

Nominal diameter: DN40-DN1200(1 1/2"-48")

DN1400-DN2000 (56"-80") other sizes on request

Flange connection: EN1092(PN6-10-16,PN25 up to DN400)

ASME B16.5(CL150)

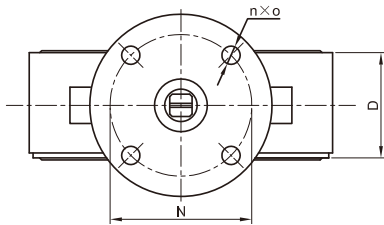
JIS B2239 & JISB2220 (JIS5K /10K /16K /30K)

Temperature range: -23 to + 200°C

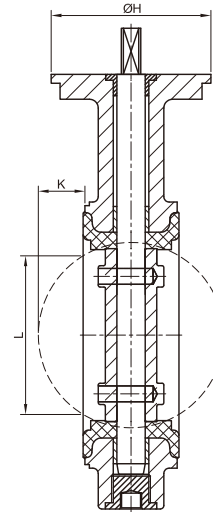
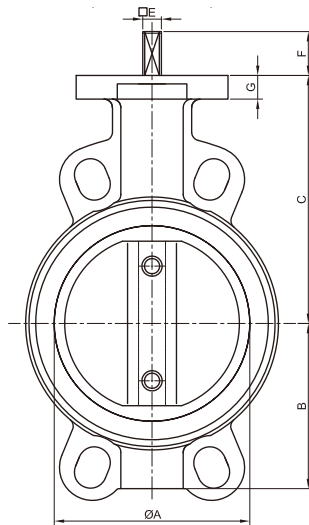
Face to face acc:EN558-1 row 20

Top flange acc: EN ISO 5211

Vacuum to 1\*10<sup>-3</sup> Torr absolute

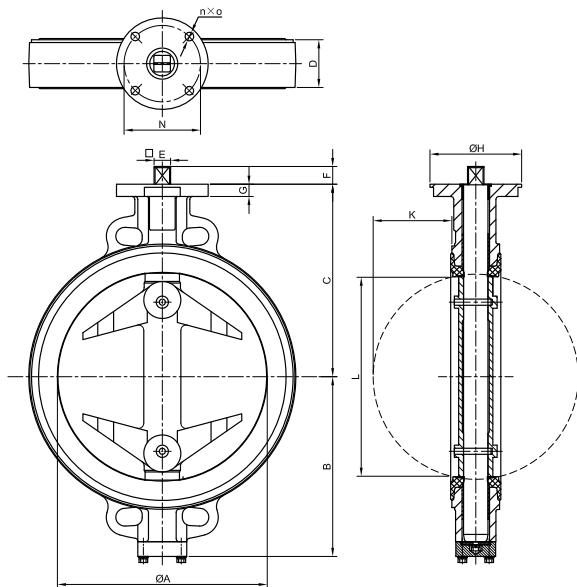


S57 DN40-DN300

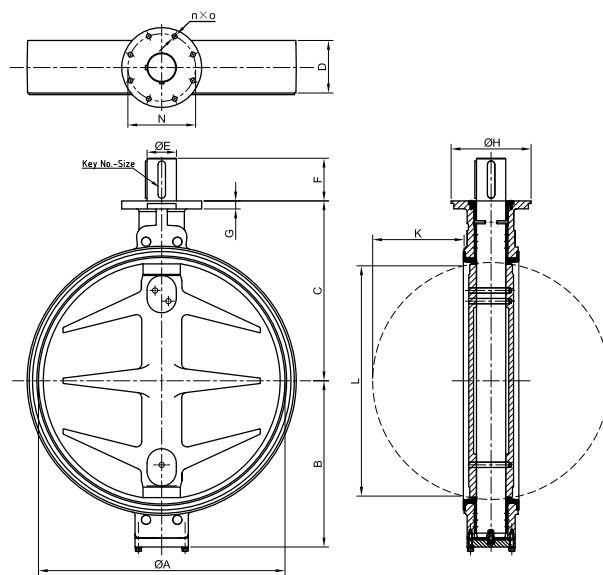


## DIMENSION

DN	NPS	ØA	ØE	F	B	C	ØH	D	"N(PCD) [ISO 5211]"	n x O	G	L	K	"Weight Appr.(KG)"
40	1 1/2"	40	11	25	61	113	90	33	Φ70[F07]	4xΦ9	12	23	3.5	2.2kg
50	2"	50	11	25	67	118	90	43	Φ70[F07]	4xΦ9	12	30	4.7	2.4kg
65	2 1/2"	65	11	25	74	126	90	46	Φ70[F07]	4xΦ9	12	49	11	3.0kg
80	3"	80	11	25	82	133	90	46	Φ70[F07]	4xΦ9	14	68	18	3.8kg
100	4"	102	11	25	100	147	90	52	Φ70[F07]	4xΦ9	14	90	26	4.6kg
125	5"	125	14	28	112	160	90	56	Φ70[F07]	4xΦ9	14	114	35	7.2kg
150	6"	150	14	28	134	180	90	56	Φ70[F07]	4xΦ9	14	140	47	9.5kg
200	8"	200	17	28	159	204	90	60	Φ70[F07]	4xΦ9	14	192	70	13.5kg
250	10"	250	22	30	195	245	125	68	Φ102[F10]	4xΦ11	15	243	91	20.2kg
300	12"	300	22	30	220	270	125	78	Φ102[F10]	4xΦ11	15	293	113	29.6kg



S57 DN350-DN650



S57 DN700-DN1200

## DIMENSION

DN	NPS	ØA	ØE	F	B	C	ØH	D	"N(PCD) [ISO 5211]"	n x Ø	G	L	K	"Weight Appr. [KG]"
350	14"	336	27	29	282	315	150	78	Φ125[F12]	4xΦ14	20	327	129	39kg
400	16"	400	27	29	307	350	150	102	Φ125[F12]	4xΦ14	20	383	147	70kg
450	18"	450	36	38	352	375	175	114	Φ140[F14]	4xΦ18	20	432	167	98kg
500	20"	500	36	38	387	415	175	127	Φ140[F14]	4xΦ18	20	481	185	128kg
550(PN10)	22"	550	36	38	420	480	210	154	Φ140[F14]	4xΦ18	20	526	198	178kg
550(PN16)	22"	550	46	48	420	480	210	154	Φ140[F14]	4xΦ18	25	526	198	185kg
600	24"	600	46	48	452	465	210	154	Φ165[F16]	4xΦ22	25	581	223	203kg
650	26"	650	46	48	475	530	210	165	Φ165[F16]	4xΦ22	30	621	239	281kg
700(PN10)	28"	700	70	110	502	555	210	165	Φ165[F16]	4xΦ22	25	669	262	270kg
700(PN16)	28"	700	80	120	502	555	300	165	Φ254[F25]	8xΦ18	30	669	262	320kg
800(PN10)	32"	800	80	120	557	620	300	190	Φ254[F25]	8xΦ18	30	767	300	380kg
800(PN16)	32"	800	100	120	557	620	300	190	Φ254[F25]	8xΦ18	30	767	300	430kg
900(PN10)	36"	900	90	120	622	675	300	203	Φ254[F25]	8xΦ18	30	865	343	500kg
900(PN16)	36"	900	110	160	622	675	300	203	Φ254[F25]	8xΦ18	30	865	343	550kg
1000(PN10)	40"	1000	90	120	672	740	300	216	Φ254[F25]	8xΦ18	30	962	385	750kg
1000(PN16)	40"	1000	120	160	672	740	300	216	Φ254[F25]	8xΦ18	30	962	385	825kg
1100(PN10)	44"	1100	105	120	800	756	350	254	Φ298[F30]	8xΦ22	40	1042	410	1021kg
1100(PN16)	44"	1100	125	160	800	756	350	254	Φ298[F30]	8xΦ22	40	1042	410	1120kg
1200(PN10)	48"	1200	110	160	875	824	350	254	Φ298[F30]	8xΦ22	40	1146	410	1250kg
1200(PN16)	48"	1200	130	160	875	824	350	254	Φ298[F30]	8xΦ22	40	1146	410	1370kg



# Concentric Butterfly Valves Vulcanized Seat

## Lug Type Series 640

Nominal diameter: DN40-DN1200(1 1/2"-48")

DN1400-DN2000 (56"-80") other sizes on request

Flange connection: EN1092(PN6-10-16,PN25 up to DN400)

ASME B16.5(CL150)

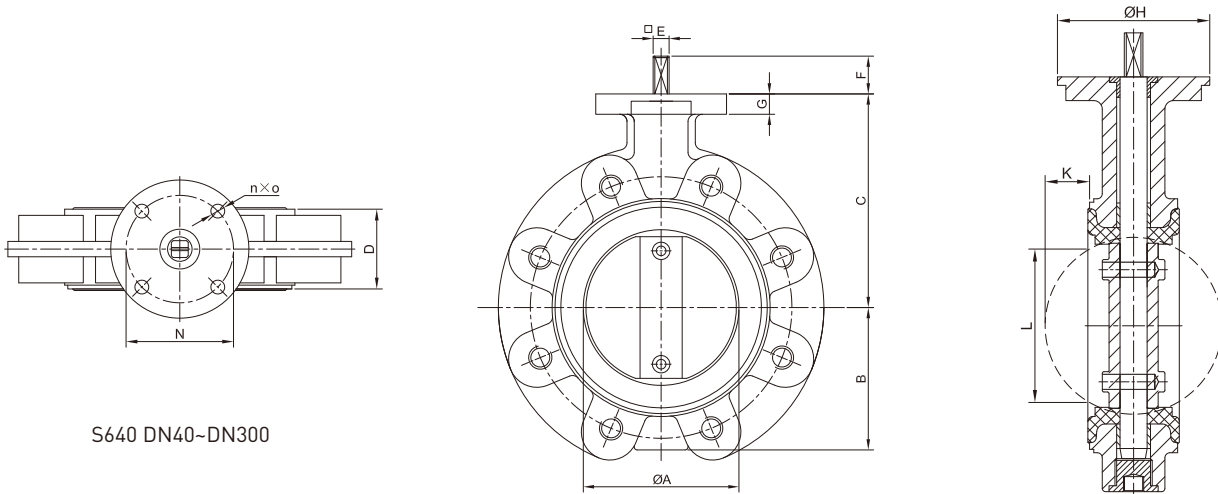
JIS B2239 & JISB2220 (JIS5K /10K /16K /30K)

Temperature range: -23 to + 200°C

Face to face acc:EN558-1 row 20

Top flange acc: EN ISO 5211

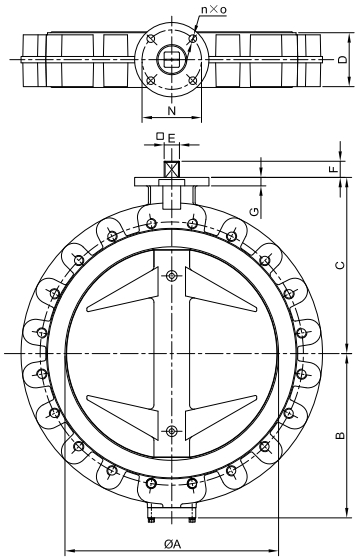
Vacuum to 1\*10<sup>-3</sup> Torr absolute



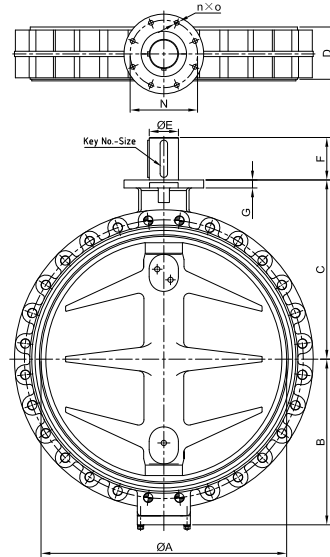
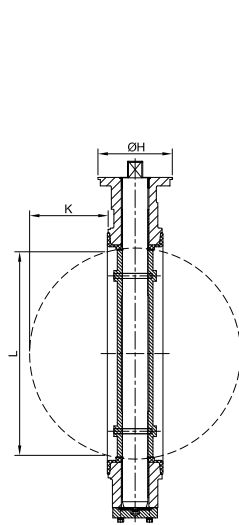
S640 DN40-DN300

## DIMENSION

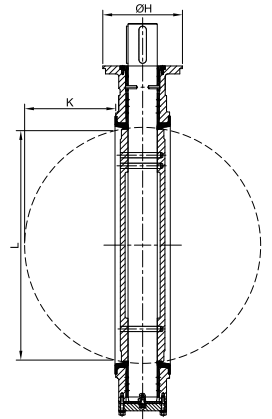
DN	NPS	ΦA	E	F	B	C	ΦH	D	"N(PCD) [ISO 5211]"	n x Ø	G	L	K	"Weight Appr.(KG)"
40	1 1/2"	40	11	25	61	113	90	33	Φ70[F07]	4xΦ9	12	23	3.5	4kg
50	2"	50	11	25	67	118	90	43	Φ70[F07]	4xΦ9	12	30	4.7	5.1kg
65	2 1/2"	65	11	25	74	126	90	46	Φ70[F07]	4xΦ9	12	49	11	5.9kg
80	3"	80	11	25	82	133	90	46	Φ70[F07]	4xΦ9	14	68	18	8.1kg
100	4"	102	11	25	100	147	90	52	Φ70[F07]	4xΦ9	14	90	26	9.1kg
125	5"	125	14	28	120	160	90	56	Φ70[F07]	4xΦ9	14	114	35	10.4kg
150	6"	150	14	28	134	180	90	56	Φ70[F07]	4xΦ9	14	140	47	17kg
200	8"	200	17	28	159	204	90	60	Φ70[F07]	4xΦ9	14	192	70	21kg
250	10"	250	22	30	195	245	125	68	Φ102[F10]	4xΦ11	15	243	91	39kg
300	12"	300	22	30	220	270	125	78	Φ102[F10]	4xΦ11	15	293	113	53kg



S640 DN350~DN650



S640 DN700~DN1200



## DIMENSION

DN	NPS	ΦA	E	F	B	C	ΦH	D	"N(PCD) [ISO 5211]"	n x 0	G	L	K	"Weight Appr.[KG]"
350	14"	336	27	29	282	315	150	78	Φ125[F12]	4xΦ14	20	327	129	63kg
400	16"	400	27	29	307	350	150	102	Φ125[F12]	4xΦ14	20	383	147	91kg
450	18"	450	36	38	352	375	175	114	Φ140[F14]	4xΦ18	20	432	167	113kg
500	20"	500	36	38	387	415	175	127	Φ140[F14]	4xΦ18	20	481	185	163kg
550(PN10)	22"	550	36	38	420	480	210	154	Φ140[F14]	4xΦ18	25	527	198	173kg
550(PN16)	22"	550	46	48	420	480	210	154	Φ140[F14]	4xΦ18	25	527	198	180kg
600	24"	600	46	48	452	465	210	154	Φ165[F16]	4xΦ22	25	581	223	249kg
650	26"	650	46	48	451	530	210	165	Φ165[F16]	4xΦ22	30	621	239	281kg
700(PN10)	28"	700	70	110	489	555	210	165	Φ165[F16]	4xΦ22	25	669	262	340kg
700(PN16)	28"	700	80	120	489	555	300	165	Φ254[F25]	8xΦ18	30	669	262	375kg
800(PN10)	32"	800	80	120	549	620	300	190	Φ254[F25]	8xΦ18	30	767	300	530kg
800(PN16)	32"	800	100	120	549	620	300	190	Φ254[F25]	8xΦ18	30	767	300	580kg
900(PN10)	36"	900	90	120	614	675	300	203	Φ254[F25]	8xΦ18	30	865	343	650kg
900(PN16)	36"	900	110	160	614	675	300	203	Φ254[F25]	8xΦ18	30	865	343	700kg
1000(PN10)	40"	1000	90	120	664	740	300	216	Φ254[F25]	8xΦ18	30	962	385	970kg
1000(PN16)	40"	1000	120	160	664	740	300	216	Φ254[F25]	8xΦ18	30	962	385	1050kg
1100(PN10)	44"	1100	105	120	756	800	350	254	Φ298[F30]	8xΦ22	40	1042	410	1221kg
1100(PN16)	44"	1100	125	160	756	800	350	254	Φ298[F30]	8xΦ22	40	1042	410	1330kg
1200(PN10)	48"	1200	110	160	824	875	350	254	Φ298[F30]	8xΦ22	40	1146	460	1417kg
1200(PN16)	48"	1200	130	160	824	875	350	254	Φ298[F30]	8xΦ22	40	1146	460	1560kg

# Concentric Butterfly Valves Vulcanized Seat



## Double Flange Series 460

Nominal diameter: DN40-DN2000(1 1/2"-80")

DN1400-DN2000 (56"-80") other sizes on request

Flange connection: EN1092(PN6-10-16,PN25 up to DN400)

ASME B16.5(CL150)

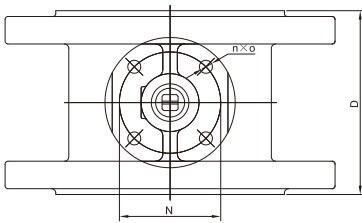
JIS B2239 & JISB2220 (JIS5K /10K /16K /30K)

Temperature range: -23 to + 200°C

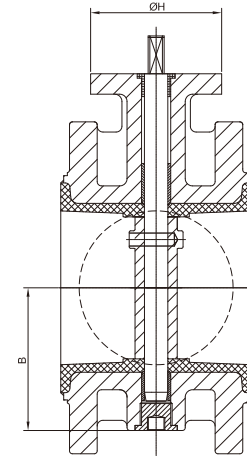
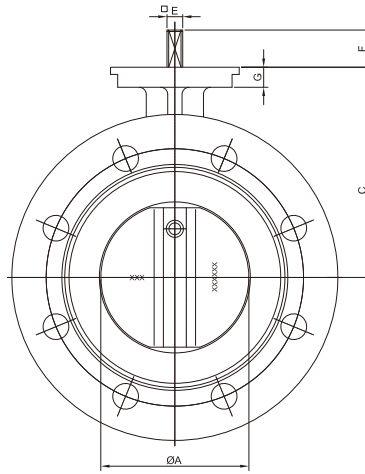
Face to face acc:EN558-1 row 13

Top flange acc: EN ISO 5211

Vacuum to 1\*10<sup>-3</sup> Torr absolute

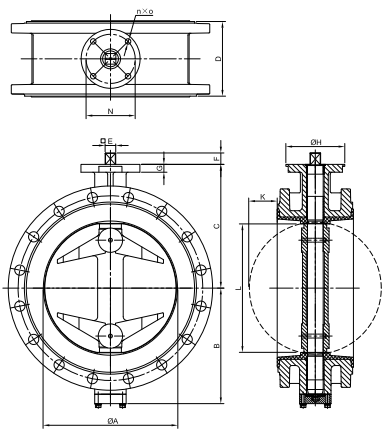


S460 DN40~DN300

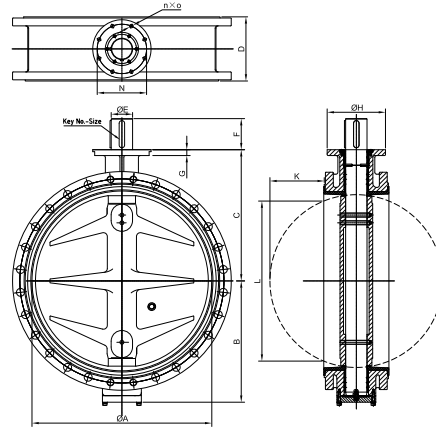


## DIMENSION

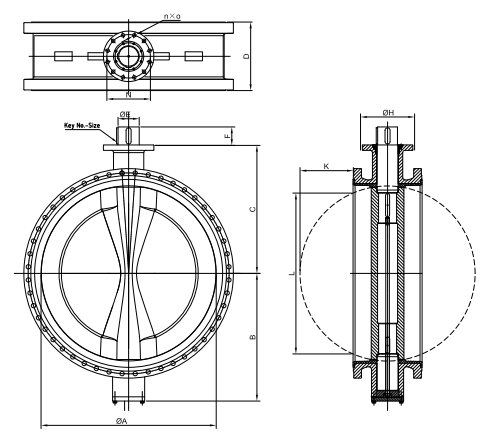
DN	NPS	ΦA	E	F	B	C	ΦH	D	"N(PCD) [ISO 5211]"	n x Ø	G	L	K	"Weight Appr.(KG)"
40	1 1/2"	40	11	25	61	113	90	106	Φ70[F07]	4xΦ9	12	NA	NA	7.2kg
50	2"	50	11	25	67	118	90	108	Φ70[F07]	4xΦ9	12	NA	NA	8kg
65	2 1/2"	65	11	25	74	126	90	112	Φ70[F07]	4xΦ9	12	NA	NA	8.8kg
80	3"	80	11	25	82	133	90	114	Φ70[F07]	4xΦ9	14	NA	NA	10kg
100	4"	102	11	25	99.5	147	90	127	Φ70[F07]	4xΦ9	14	NA	NA	13.1kg
125	5"	125	14	28	111.5	160	90	140	Φ70[F07]	4xΦ9	14	NA	NA	18kg
150	6"	150	14	28	134	180	90	140	Φ70[F07]	4xΦ9	14	56	5.4	23.1kg
200	8"	200	17	28	172	204	90	152	Φ70[F07]	4xΦ9	14	132	25	43kg
250	10"	250	22	30	203	245	125	165	Φ102[F10]	4xΦ11	15	190	43	52kg
300	12"	300	22	30	223	270	125	178	Φ102[F10]	4xΦ11	15	246	63	77kg



S460 DN350-DN650



S460 DN700-DN1200



S460 DN1300-DN2000

## DIMENSION

DN	NPS	ΦA	E	F	B	C	ΦH	D	"N[PCD] [ISO 5211]"	n x O	G	L	K	"Weight Appr. [KG]"
350	14"	336	27	29	282	315	150	190	Φ125[F12]	4xΦ14	20	277	73	95kg
400	16"	400	27	29	307	350	150	216	Φ125[F12]	4xΦ14	20	332	90	101kg
450	18"	450	36	38	352	375	175	222	Φ140[F14]	4xΦ18	20	388	112	154kg
500	20"	500	36	38	387	415	175	229	Φ140[F14]	4xΦ18	20	441	134	170kg
550(PN10)	22"	550	36	38	420	480	210	267	Φ140[F14]	4xΦ18	25	478	141	200kg
550(PN16)	22"	550	46	48	420	480	210	267	Φ140[F14]	4xΦ18	25	478	141	205kg
600	24"	600	46	48	452	465	210	267	Φ165[F16]	4xΦ22	25	538	167	231kg
650	26"	650	46	48	475	530	210	292	Φ165[F16]	4xΦ22	30	573	176	311kg
700(PN10)	28"	700	70	110	489	555	210	292	Φ165[F16]	4xΦ22	25	624	198	365kg
700(PN16)	28"	700	80	120	489	555	300	292	Φ254[F25]	8xΦ18	30	624	198	420kg
800(PN10)	32"	800	80	120	549	620	300	318	Φ254[F25]	8xΦ18	30	723	236	440kg
800(PN16)	32"	800	100	120	549	620	300	318	Φ254[F25]	8xΦ18	30	723	236	510kg
900(PN10)	36"	900	90	120	614	675	300	330	Φ254[F25]	8xΦ18	30	825	279	671kg
900(PN16)	36"	900	110	160	614	675	300	330	Φ254[F25]	8xΦ18	30	825	279	760kg
1000(PN10)	40"	1000	90	120	664	740	300	410	Φ254[F25]	8xΦ18	30	897	288	990kg
1000(PN16)	40"	1000	120	160	664	740	300	410	Φ254[F25]	8xΦ18	30	897	288	1050kg
1100(PN10)	44"	1100	105	120	740	800	350	410	Φ298[F30]	8xΦ22	40	942	332	1180kg
1100(PN16)	44"	1100	125	160	740	800	350	410	Φ298[F30]	8xΦ22	40	942	332	1250kg
1200(PN10)	48"	1200	110	160	802	875	350	470	Φ298[F30]	8xΦ22	40	1075	352	1440kg
1200(PN16)	48"	1200	130	160	802	875	350	470	Φ298[F30]	8xΦ22	40	1075	352	1580kg
1300(PN6)	52"	1300	110	160	935	990	415	490	Φ356[F35]	8xΦ33	35	1180	394	--
1300(PN10)	52"	1300	110	160	935	990	415	490	Φ356[F35]	8xΦ33	35	1180	394	--
1400(PN6)	56"	1400	140	160	1020	1000	415	530	Φ356[F35]	8xΦ33	35	1273	425	--
1400(PN10)	56"	1400	140	160	1020	1000	415	530	Φ356[F35]	8xΦ33	35	1273	425	--
1500(PN6)	60"	1500	150	160	1054	1050	415	570	Φ356[F35]	8xΦ33	40	1361	453	--
1500(PN10)	60"	1500	150	160	1054	1050	415	570	Φ356[F35]	8xΦ33	40	1361	453	--
1600(PN6)	64"	1600	160	180	1080	1150	415	600	Φ356[F35]	8xΦ33	50	1457	488	--
1600(PN10)	64"	1600	160	180	1080	1150	415	600	Φ356[F35]	8xΦ33	50	1457	488	--
1800(PN6)	72"	1800	180	200	1186	1200	475	670	Φ406[F40]	8xΦ39	45	1643	552	--
1800(PN10)	72"	1800	180	200	1186	1200	475	670	Φ406[F40]	8xΦ39	45	1643	552	--
2000(PN6)	80"	2000	200	200	1370	1425	560	760	Φ483[F48]	12xΦ39	60	1794	594	--
2000(PN10)	80"	2000	200	200	1370	1425	560	760	Φ483[F48]	12xΦ39	60	1794	594	--



# High Performance Double Eccentric Butterfly Valves

## Wafer Type Series 960/961

Nominal diameter: DN50-DN1200(2"-48")  
 other sizes on request

Flange connection: EN1092(PN6-10-16-25-40-63)  
 ASME B16.5(CL150-300)  
 JIS B2220 (5K /10K /16K /30K)

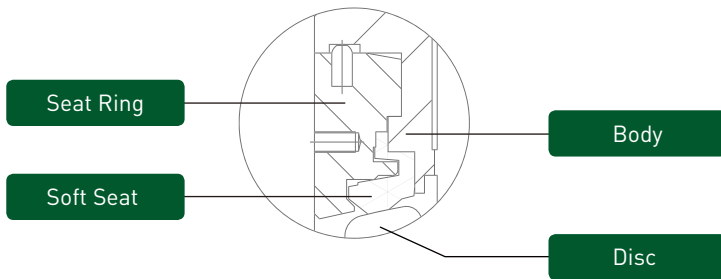
Temperature range: -40 to +650°C

Face to face acc: API609

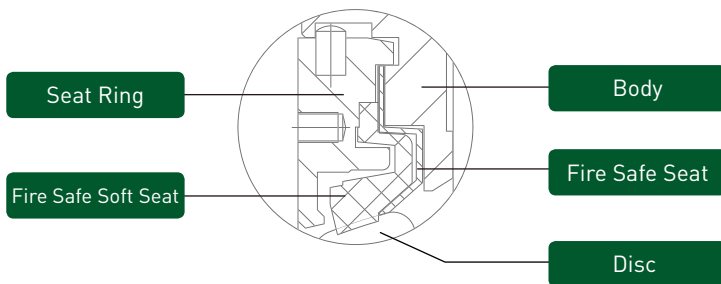
Top flange acc: EN ISO 5211

Vacuum to  $1 \cdot 10^{-3}$  Torr absolute

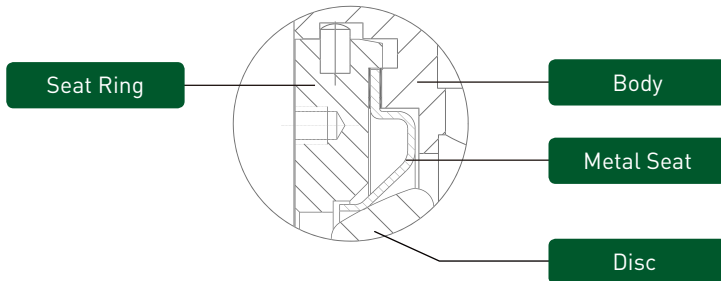
## SEAT SEALING OPTIONS



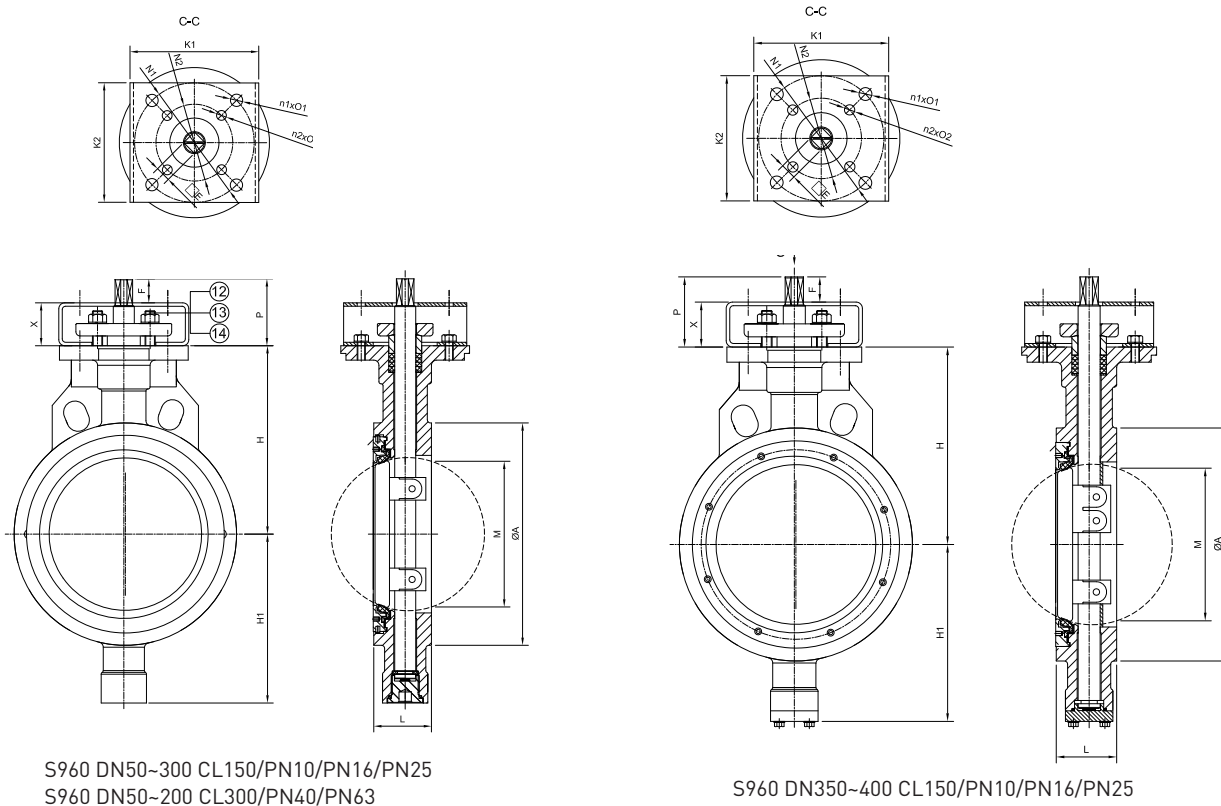
**SOFT SEAT:**  
 The elasticity of the seat together with the fluid pressure ensures zero leakage.



**FIRE SAFE SEAT:**  
 During a fire when the PTFE-R seat burns away, the supplementary metal seat activates automatically and prevents extraordinary leakage.



**METAL SEAT:**  
 This version offers very high sealing capabilities.



## DIMENSION PN10/16/25/CL150

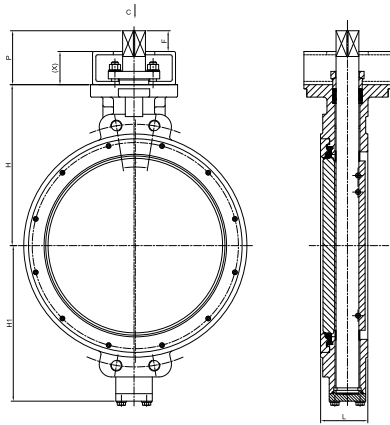
DN	ΦA	E	F	H	H1	K1	K2	L	N1	N2	n1xO1	n2xO2	P	X	M
50	102	12	15	108	91	90	70	43	70	50	4xΦ9	4xΦ7	65	[50]	44
65	122	12	15	123	101	90	70	46	70	50	4xΦ9	4xΦ7	65	[50]	61
80	132	12	15	133	107	90	70	46	70	50	4xΦ9	4xΦ7	65	[50]	74
100	156	12	15	155	115	90	70	52	70	50	4xΦ9	4xΦ7	65	[50]	93
125	188	17	20	173	155	110	100	56	102	70	4xΦ11	4xΦ9	65	[45]	119
150	216	17	20	183	164	110	100	56	102	70	4xΦ11	4xΦ9	65	[45]	138
200	268	19	25	218	195	140	120	60	125	102	4xΦ13	4xΦ11	85	[60]	190
250	326	22	25	253	230	140	120	68	125	102	4xΦ13	4xΦ11	85	[60]	239
300	375	27	30	278	260	160	140	78	140	102	4xΦ17	4xΦ11	90	[60]	277
350	420	30	32	318	308	160	140	92	140	102	4xΦ17	4xΦ11	92	[60]	331
400	482	36	44	363	354	200	170	102	165	140	4xΦ22	4xΦ17	124	[80]	374

\*Other sizes available on request.

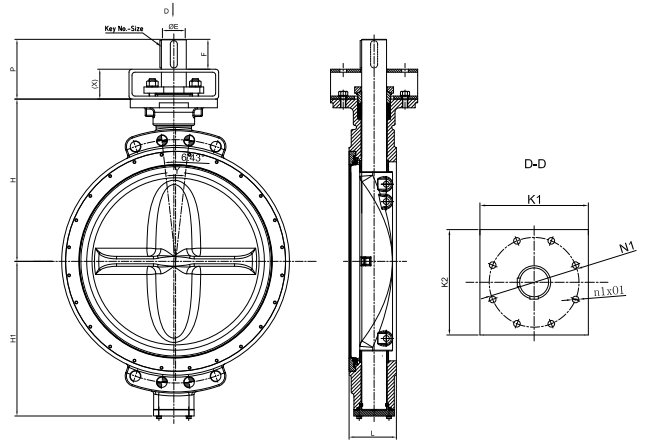
## DIMENSION CL300

DN	E	F	P	H	H1	L	K1	K2	N1	N2	n1xO1	n2xO2	X	M
80	17	20	65	158	123	48	110	100	102	70	4xØ11	4xØ9	[45]	74
100	17	20	65	178	142	54	110	100	102	70	4xØ11	4xØ9	[45]	93
125	22	25	85	190	190	59	140	120	125	102	4xØ13	4xØ11	[60]	119
150	22	25	85	210	209	59	140	120	125	102	4xØ13	4xØ11	[60]	138
200	27	30	90	265	215	73	160	140	140	102	4xØ17	4xØ11	[60]	190
250	Ø40 2-12x8x40	45	105	284	266	83	170	165	165	--	4xØ22	--	[60]	239
300	Ø45 2-14x9x56	60	140	325	300	92	200	170	165	--	4xØ22	--	[80]	278
350	Ø50 2-16x10x63	68	168	360	345	118	300	300	254	--	8xØ18	--	[100]	317
400	Ø60 2-20x12x80	85	185	423	410	136	300	300	254	--	8xØ18	--	[100]	361





S960 DN450-650 CL150/PN10/PN16/PN25



S960 DN700-1200 CL150/PN10/PN16/PN25  
S960 DN250-700 CL300/PN40/PN63

## DIMENSION PN10/16/25/CL150

DN	E	F	P	H	H1	L	K1	K2	N1	N2	n1x01	n2x02	X	M
450	41	50	130	388	375	114	200	170	165	140	4xΦ22	4xΦ17	[80]	429
500	46	54	134	432	413	127	200	170	165	--	4xΦ22	--	[80]	477
550	55	63	163	458	439	154	300	300	254	--	8xΦ18	--	[100]	522
600	55	63	163	488	450	154	300	300	254	--	8xΦ18	--	[100]	571
650	55	63	163	516	500	165	300	300	254	--	8xΦ18	--	[100]	615
700(PN10)	Φ80 2-22x14x110"	120	220	576	542	165	360	350	298	--	8xΦ22	--	[100]	676
700(PN16/CL150)	Φ90 2-25x14x110"	120	240	576	542	165	360	350	298	--	8xΦ22	--	[120]	676
750(CL150)	Φ100 2-28x16x110"	120	240	625	585	190	360	350	298	--	8xΦ22	--	[120]	723
800(PN10)	Φ90 2-25x14x110"	120	240	652	621	190	360	350	298	--	8xΦ22	--	[120]	772
800(PN16/CL150)	Φ100 2-28x16x110"	120	240	652	621	190	360	350	298	--	8xΦ22	--	[120]	772
900(PN10)	Φ100 2-28x16x110"	120	240	720	690	210	360	350	298	--	8xΦ22	--	[120]	865
900(PN16/CL150)	Φ110 2-32x18x140"	160	280	720	690	210	415	415	356	--	8xΦ33	--	[120]	865
1000(PN10)	Φ110 2-32x18x140"	160	280	785	760	241	415	415	356	--	8xΦ33	--	[120]	955
1000(PN16/CL150)	Φ120 2-32x18x140"	160	280	785	760	241	415	415	356	--	8xΦ33	--	[120]	955
1200(PN10)	Φ120 2-32x18x140"	160	300	915	890	254	475	475	406	--	8xΦ39	--	[140]	1162
1200(PN16/CL150)	Φ130 2-32x18x140"	160	300	915	890	254	475	475	406	--	8xΦ39	--	[140]	1162

## DIMENSION CL300

DN	E	F	P	H	H1	L	K1	K2	N1	N2	n1x01	n2x02	X	M
450	Ø70 2-20x12x90	100	200	445	439	152	300	300	254	--	8xØ18	--	[100]	418
500	Ø80 2-22x14x110	120	240	496	456	160	360	350	298	--	8xΦ22	--	[120]	474
600	Ø90 2-25x14x110	120	240	552	543	182	360	350	298	--	8xΦ22	--	[120]	571
700	Ø115 2-32x18x140	160	280	650	624	229	415	415	356	--	8xØ33	--	[120]	657



# High Performance Double Eccentric Butterfly Valves

## Lug Type Series 970/971

Nominal diameter: DN50-DN1200(2"-48")  
 other sizes on request

Flange connection: EN1092(PN6-10-16-25-40-63)  
 ASME B16.5(CL150-300)  
 JIS B2220 (5K /10K /16K /30K)

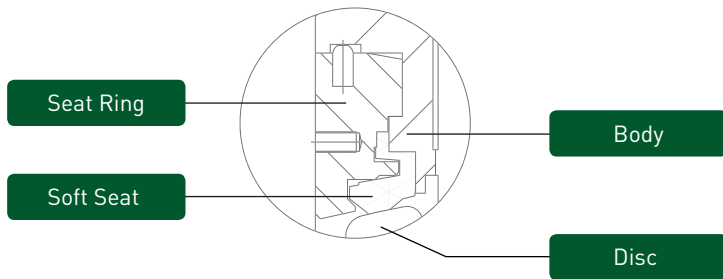
Temperature range: -40 to +650°C

Face to face acc:API609

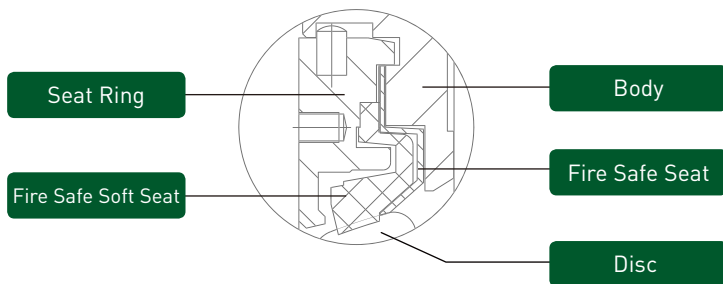
Top flange acc: EN ISO 5211

Vacuum to  $1 \cdot 10^{-3}$  Torr absolute

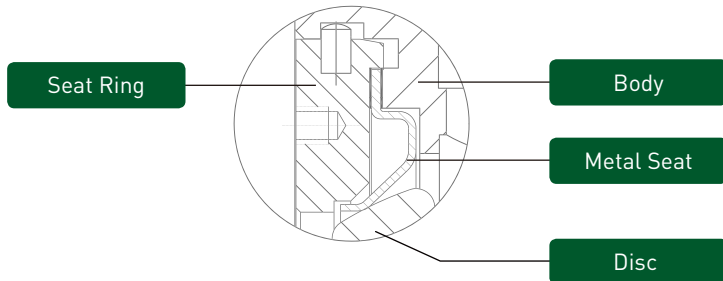
## SEAT SEALING OPTIONS



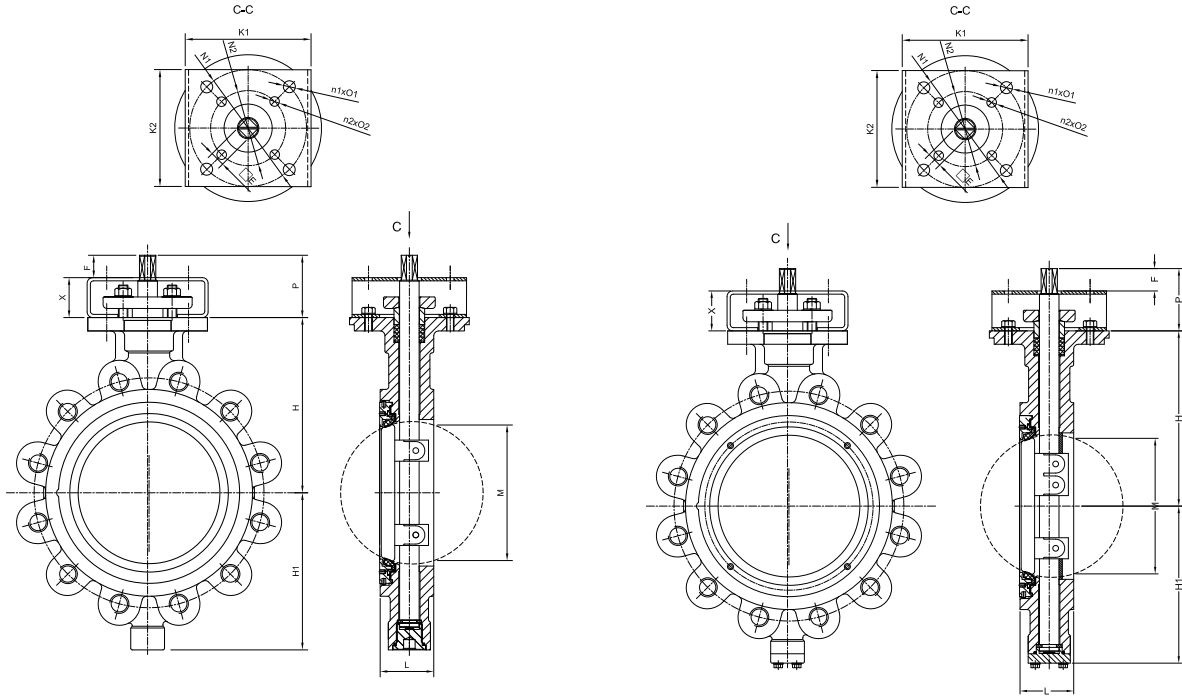
**SOFT SEAT:**  
 The elasticity of the seat together with the fluid pressure ensures zero leakage.



**FIRE SAFE SEAT:**  
 During a fire when the PTFE-R seat burns away, the supplementary metal seat activates automatically and prevents extraordinary leakage.



**METAL SEAT:**  
 This version offers very high sealing capabilities.



S970 DN50~300 CL150/PN10/PN16/PN25  
S970 DN50~200 CL300/PN40/PN63

S970 DN350~400 CL150/PN10/PN16/PN25

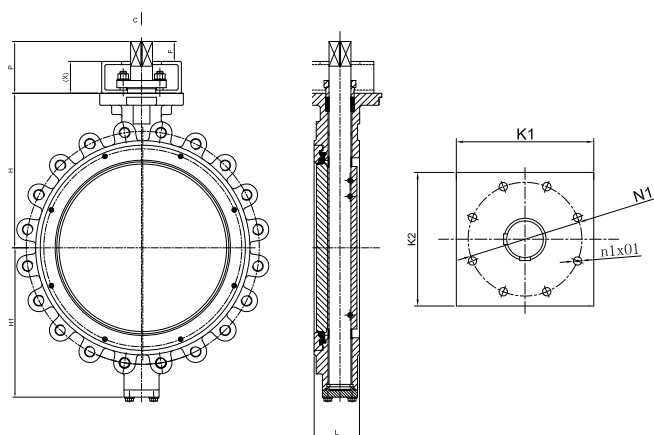
## DIMENSION PN10/16/25/CL150

DN	E	F	P	H	H1	K1	K2	L	N1	N2	n1xO1	n2xO2	X	M
50	12	15	65	108	91	90	70	43	70	50	4xΦ9	4xΦ7	[50]	44.29
65	12	15	65	123	101	90	70	46	70	50	4xΦ9	4xΦ7	[50]	61.49
80	12	15	65	133	107	90	70	46	70	50	4xΦ9	4xΦ7	[50]	74.38
100	12	15	65	155	115	90	70	52	70	50	4xΦ9	4xΦ7	[50]	93.47
125	17	20	65	173	155	110	100	56	102	70	4xΦ11	4xΦ9	[45]	119.34
150	17	20	65	183	164	110	100	56	102	70	4xΦ11	4xΦ9	[45]	138.39
200	19	25	85	218	195	140	120	60	125	102	4xΦ13	4xΦ11	[60]	189.79
250	22	25	85	253	230	140	120	68	125	102	4xΦ13	4xΦ11	[60]	238.51
300	27	30	90	278	260	160	140	78	140	102	4xΦ17	4xΦ11	[60]	277.31
350	30	32	92	318	308	160	140	92	140	102	4xΦ17	4xΦ11	[60]	330.74
400	36	44	124	363	354	170	160	102	165	140	4xΦ22	4xΦ17	[80]	374.32

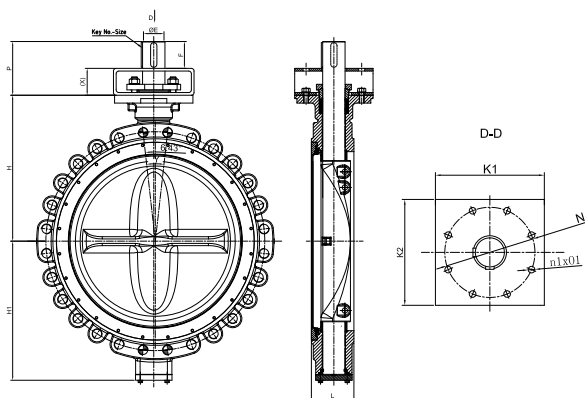
\*Other sizes available on request.

## DIMENSION CL300

DN	E	F	P	H	H1	L	K1	K2	N1	N2	n1xO1	n2xO2	X	M
80	17	20	65	158	123	48	110	100	102	70	4xØ11	4xØ9	[45]	74.38
100	17	20	65	178	142	54	110	100	102	70	4xØ11	4xØ9	[45]	93.47
125	22	25	85	190	190	59	140	120	125	102	4xØ13	4xØ11	[60]	119.34
150	22	25	85	210	209	59	140	120	125	102	4xØ13	4xØ11	[60]	138.39
200	27	30	90	265	215	73	160	140	140	102	4xØ17	4xØ11	[60]	189.79
250	Ø40 2-12x8x40	45	105	284	266	83	170	165	165	--	4xØ22	--	[60]	238.51
300	Ø45 2-14x9x56	60	140	325	300	92	200	170	165	--	4xØ22	--	[80]	278.4
350	Ø50 2-16x10x63	68	168	360	345	118	300	300	254	--	8xØ18	--	[100]	316.68
400	Ø60 2-20x12x80	85	185	423	410	136	300	300	254	--	8xØ18	--	[100]	360.6



S970 DN450-650 CL150/PN10/PN16/PN25



S970 DN700-1200 CL150/PN10/PN16/PN25  
S970 DN250-700 CL300/PN40/PN63

## DIMENSION PN10/16/25/CL150

DN	E	F	P	H	H1	L	K1	K2	N1	N2	n1x01	n2x02	X	M
450	41	50	130	388	375	114	200	170	165	140	4xΦ22	4xΦ17	[80]	428.56
500	46	54	134	432	413	127	200	170	165	--	4xΦ22	--	[80]	477.08
550	55	63	163	458	439	154	300	300	254	--	8xΦ18	--	[100]	522.02
600	55	63	163	488	450	154	300	300	254	--	8xΦ18	--	[100]	570.56
650	55	63	163	516	500	165	300	300	254	--	8xΦ18	--	[100]	615.38
700(PN10)	Φ80 2-22x14x110"	120	220	576	542	165	360	350	298	--	8xΦ22	--	[100]	676.24
700(PN16/CL150)	Φ90 2-25x14x110"	120	240	576	542	165	360	350	298	--	8xΦ22	--	[120]	676.24
700(PN25)	Φ100 2-28x16x110"	120	240	576	542	229	360	350	298	--	8xΦ22	--	[120]	676.24
750(CL150)	Φ100 2-28x16x110"	120	240	625	585	190	360	350	298	--	8xΦ22	--	[120]	723
800(PN10)	Φ90 2-25x14x110"	120	240	652	621	190	360	350	298	--	8xΦ22	--	[120]	772.24
800(PN16/CL150)	Φ100 2-28x16x110"	120	240	652	621	190	360	350	298	--	8xΦ22	--	[120]	772.24
900(PN10)	Φ100 2-28x16x110"	120	240	720	690	210	360	350	298	--	8xΦ22	--	[120]	865.16
900(PN16/CL150)	Φ110 2-32x18x140"	160	280	720	690	210	415	415	356	--	8xΦ33	--	[120]	865.16
1000(PN10)	Φ110 2-32x18x140"	160	280	785	760	241	415	415	356	--	8xΦ33	--	[120]	955.02
1000(PN16/CL150)	Φ120 2-32x18x140"	160	280	785	760	241	415	415	356	--	8xΦ33	--	[120]	955.02
1200(PN10)	Φ120 2-32x18x140"	160	300	915	890	254	475	475	406	--	8xΦ39	--	[140]	1161.76
1200(PN16/CL150)	Φ130 2-32x18x140"	160	300	915	890	254	475	475	406	--	8xΦ39	--	[140]	1161.76

## DIMENSION CL300

DN	E	F	P	H	H1	L	K1	K2	N1	N2	n1x01	n2x02	X	M
450	Ø70 2-20x12x90	100	200	445	439	152	300	300	254	--	8xØ18	--	[100]	418.42
500	Ø80 2-22x14x110	120	240	496	456	160	360	350	298	--	8xØ22	--	[120]	474.4
600	Ø90 2-25x14x110	120	240	552	543	182	360	350	298	--	8xØ22	--	[120]	570.76
700	Ø115 2-32x18x140	160	280	650	624	229	415	415	356	--	8xØ33	--	[120]	657.16



# High Performance Double Eccentric Butterfly Valves

## Double Flange Type Series 980/981

Nominal diameter: DN50-DN1200(2"-48")  
 other sizes on request

Flange connection: EN1092(PN6-10-16-25-40-63)  
 ASME B16.5(CL150-300)  
 JIS B2220 (5K /10K /16K /30K)

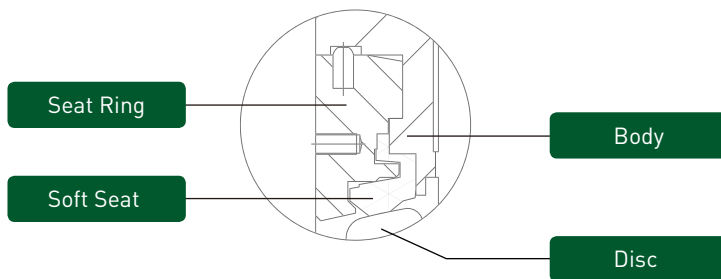
Temperature range: -40 to +650°C

Face to face acc:API609

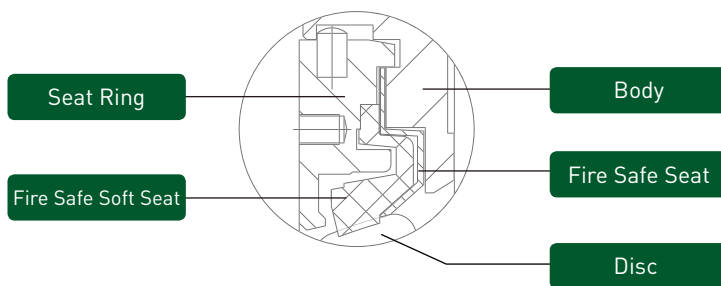
Top flange acc: EN ISO 5211

Vacuum to  $1 \times 10^{-3}$  Torr absolute

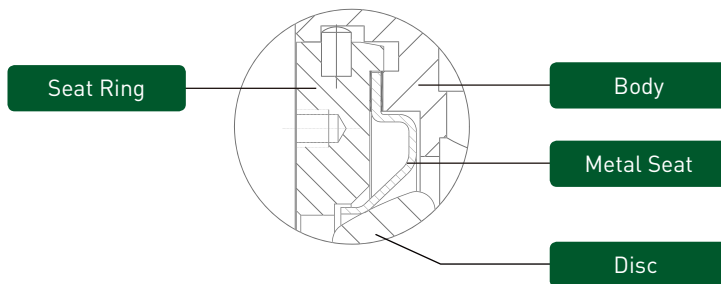
## SEAT SEALING OPTIONS



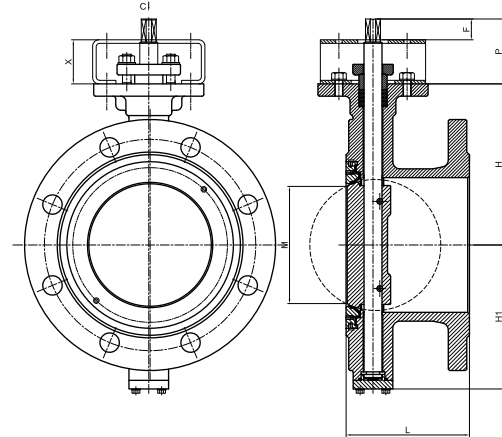
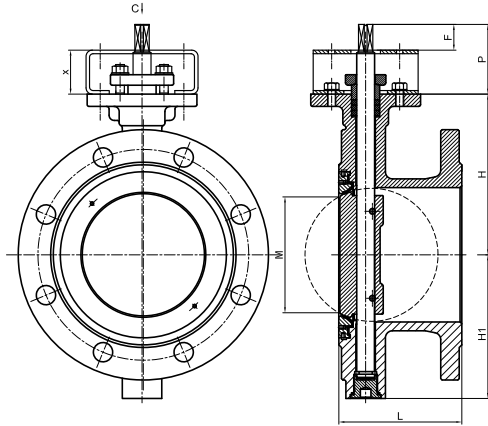
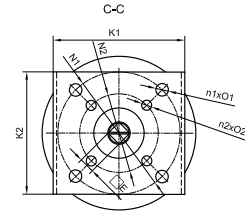
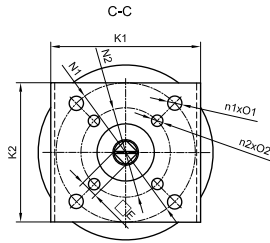
**SOFT SEAT:**  
 The elasticity of the seat together with the fluid pressure ensures zero leakage.



**FIRE SAFE SEAT:**  
 During a fire when the PTFE-R seat burns away, the supplementary metal seat activates automatically and prevents extraordinary leakage.



**METAL SEAT:**  
 This version offers very high sealing capabilities.



S980 DN50~300 CL150/PN10/PN16/PN25  
S980 DN50~200 CL300/PN40/PN63

S980 DN350~400 CL150/PN10/PN16/PN25

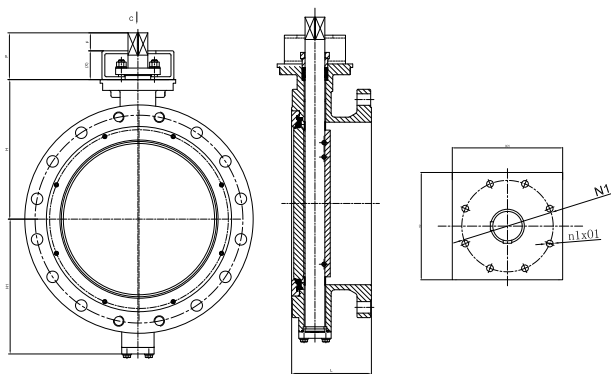
### DIMENSION PN10/16/25/CL150

DN	E	F	P	H	H1	K1	K2	L	N1	N2	n1xO1	n2xO2	X	M
50	12	15	65	108	91	90	70	108	70	50	4xΦ9	4xΦ7	[50]	29
65	12	15	65	123	101	90	70	112	70	50	4xΦ9	4xΦ7	[50]	50
80	12	15	65	133	107	90	70	114	70	50	4xΦ9	4xΦ7	[50]	67
100	12	15	65	155	115	90	70	127	70	50	4xΦ9	4xΦ7	[50]	87
125	17	20	65	173	155	110	100	140	102	70	4xΦ11	4xΦ9	[45]	111
150	17	20	65	183	164	110	100	140	102	70	4xΦ11	4xΦ9	[45]	132
200	19	25	85	218	195	140	120	152	125	102	4xΦ13	4xΦ11	[60]	183
250	22	25	85	253	230	140	120	165	125	102	4xΦ13	4xΦ11	[60]	229
300	27	30	90	278	260	160	140	178	140	102	4xΦ17	4xΦ11	[60]	270
350	30	32	92	318	308	160	140	190	140	102	4xΦ17	4xΦ11	[60]	318
400	36	44	124	363	354	200	170	216	165	140	4xΦ21	4xΦ17	[80]	360

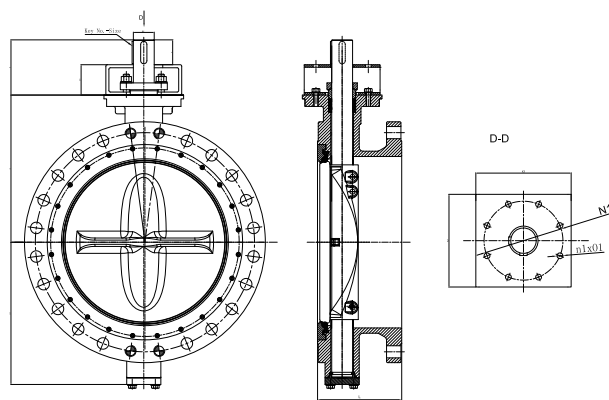
\*Other sizes available on request.

### DIMENSION CL300

DN	E	F	P	H	H1	L	K1	K2	N1	N2	n1xO1	n2xO2	X	M
80	17	20	65	158	123	114	110	100	102	70	4xΦ11	4xΦ9	[45]	67
100	17	20	65	178	142	127	110	100	102	70	4xΦ11	4xΦ9	[45]	87
125	22	25	85	190	190	140	140	120	125	102	4xΦ13	4xΦ11	[60]	111
150	22	25	85	210	209	140	140	120	125	102	4xΦ13	4xΦ11	[60]	132
200	27	30	90	265	215	152	160	140	140	102	4xΦ17	4xΦ11	[60]	183
250	Φ40 2-12x8x40"	45	105	284	266	165	170	165	165	--	4xΦ22	--	[60]	229
300	Φ45 2-14x9x56"	60	140	325	300	178	200	170	165	--	4xΦ22	--	[80]	270
350	Φ50 2-16x10x63"	68	168	360	345	190	300	300	254	--	8xΦ18	--	[100]	313
400	Φ60 2-20x12x80"	85	185	423	410	216	300	300	254	--	8xΦ18	--	[100]	354



S980 DN450-650 CL150/PN10/PN16/PN25



S980 DN700-1200 CL150/PN10/PN16/PN25  
S980 DN250-700 CL300/PN40/PN63

## DIMENSION PN10/16/25/CL150

DN	E	F	P	H	H1	L	K1	K2	N1	N2	n1xO1	n2xO2	X	M
350	30	32	92	318	308	160	140	190	140	102	4xØ17	4xØ11	[60]	318
400	36	44	124	363	354	200	170	216	165	140	4xØ21	4xØ17	[80]	360
450	41	50	130	388	375	222	200	170	165	140	4xØ22	4xØ17	[80]	420
500	46	54	134	432	413	229	200	170	165	--	4xØ22	--	[80]	468
550	55	63	163	458	439	267	300	300	254	--	8xØ18	--	[100]	517
600	55	63	163	488	450	267	300	300	254	--	8xØ18	--	[100]	563
650	55	63	163	516	500	292	300	300	254	--	8xØ18	--	[100]	605
700(PN10)	"Φ80 2-22x14x110"	120	220	576	542	292	360	350	298	--	8xΦ22	--	[100]	669
700(PN16/CL150)	"Φ90 2-25x14x110"	120	240	576	542	292	360	350	298	--	8xΦ22	--	[120]	669
700(PN25)	"Φ100 2-28x16x110"	120	240	576	542	292	360	350	298	--	8xΦ22	--	[120]	669
750(CL150)	"Φ100 2-28x16x110"	120	240	625	585	318	360	350	298	--	8xΦ22	--	[120]	723
800(PN10)	"Φ90 2-25x14x110"	120	240	652	621	318	360	350	298	--	8xΦ22	--	[120]	767
800(PN16/CL150)	"Φ100 2-28x16x110"	120	240	652	621	318	360	350	298	--	8xΦ22	--	[120]	767
900(PN10)	"Φ100 2-28x16x110"	120	240	720	690	330	360	350	298	--	8xΦ22	--	[120]	862
900(PN16/CL150)	"Φ110 2-32x18x140"	160	280	720	690	330	415	415	356	--	8xΦ33	--	[120]	862
1000(PN10)	"Φ110 2-32x18x140"	160	280	785	760	410	415	415	356	--	8xΦ33	--	[120]	957
1000(PN16/CL150)	"Φ120 2-32x18x140"	160	280	785	760	410	415	415	356	--	8xΦ33	--	[120]	957
1200(PN10)	"Φ120 2-32x18x140"	160	300	915	890	470	475	475	406	--	8xΦ39	--	[140]	1154
1200(PN16/CL150)	"Φ130 2-32x18x140"	160	300	915	890	470	475	475	406	--	8xΦ39	--	[140]	1154

## DIMENSION CL300

DN	E	F	P	H	H1	L	K1	K2	N1	N2	n1xO1	n2xO2	X	M
450	"Φ70 2-20x12x90"	100	200	445	439	222	300	300	254	--	8xΦ18	--	[100]	418
500	"Φ80 2-22x14x110"	120	240	496	456	229	360	350	298	--	8xΦ22	--	[120]	466
600	"Φ90 2-25x14x110"	120	240	552	543	267	360	350	298	--	8xΦ22	--	[120]	560
700	"Φ115 2-32x18x140"	160	280	650	624	292	415	415	356	--	8xΦ33	--	[120]	667

Архангельск (8182)63-90-72  
Астана (7172)727-132  
Астрахань (8512)99-46-04  
Барнаул (3852)73-04-60  
Белгород (4722)40-23-64  
Брянск (4832)59-03-52  
Владивосток (423)249-28-31  
Волгоград (844)278-03-48  
Вологда (8172)26-41-59  
Воронеж (473)204-51-73  
Екатеринбург (343)384-55-89  
Иваново (4932)77-34-06

Ижевск (3412)26-03-58  
Иркутск (395)279-98-46  
Казань (843)206-01-48  
Калининград (4012)72-03-81  
Калуга (4842)92-23-67  
Кемерово (3842)65-04-62  
Киров (8332)68-02-04  
Краснодар (861)203-40-90  
Красноярск (391)204-63-61  
Курск (4712)77-13-04  
Липецк (4742)52-20-81  
Киргизия (996)312-96-26-47

Магнитогорск (3519)55-03-13  
Москва (495)268-04-70  
Мурманск (8152)59-64-93  
Набережные Челны (8552)20-53-41  
Нижний Новгород (831)429-06-12  
Новокузнецк (3843)20-46-81  
Новосибирск (383)227-86-73  
Омск (3812)21-46-40  
Орел (4862)44-53-42  
Оренбург (3532)37-68-04  
Пенза (8412)22-31-16  
Казахстан (772)734-952-31

Пермь (342)205-81-47  
Ростов-на-Дону (863)308-18-15  
Рязань (4912)46-61-64  
Самара (846)206-03-16  
Санкт-Петербург (812)309-46-40  
Саратов (845)249-38-78  
Севастополь (8692)22-31-93  
Симферополь (3652)67-13-56  
Смоленск (4812)29-41-54  
Сочи (862)225-72-31  
Ставрополь (8652)20-65-13  
Таджикистан (992)427-82-92-69

Сургут (3462)77-98-35  
Тверь (4822)63-31-35  
Томск (3822)98-41-53  
Тула (4872)74-02-29  
Тюмень (3452)66-21-18  
Ульяновск (8422)24-23-59  
Уфа (347)229-48-12  
Хабаровск (4212)92-98-04  
Челябинск (351)202-03-61  
Череповец (8202)49-02-64  
Ярославль (4852)69-52-93